

TRANSFORMERS

DARK OF THE MOON™

AGES 5+

28737/28734 ASST.

AUTOBOT®

INTERMEDIATE

OPTIMUS PRIME® LEVEL: 1 2 3

NOTE: Some parts are made to detach if excessive force is applied and are designed to be reattached if separation occurs. Adult supervision may be necessary for younger children.



CHANGING TO VEHICLE

1

2

3

4

5

6

7

8

9

10

11

12

13

14

15

16

17

18

BACK VIEW

VEHICLE MODE

Retain instructions for future reference.

P/N 7132590000



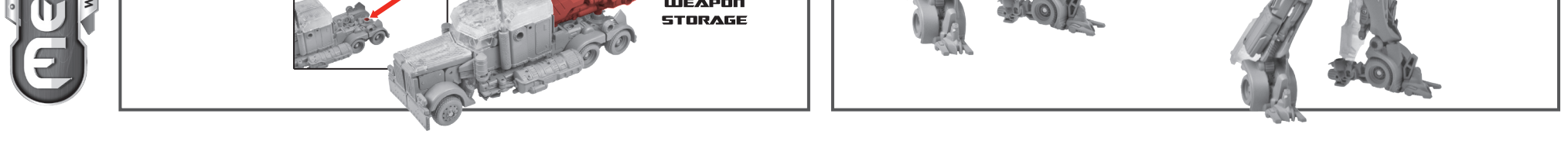
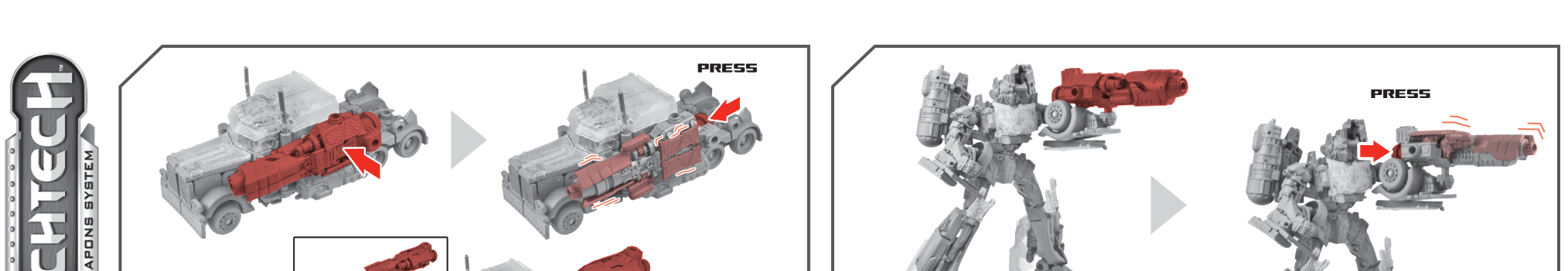
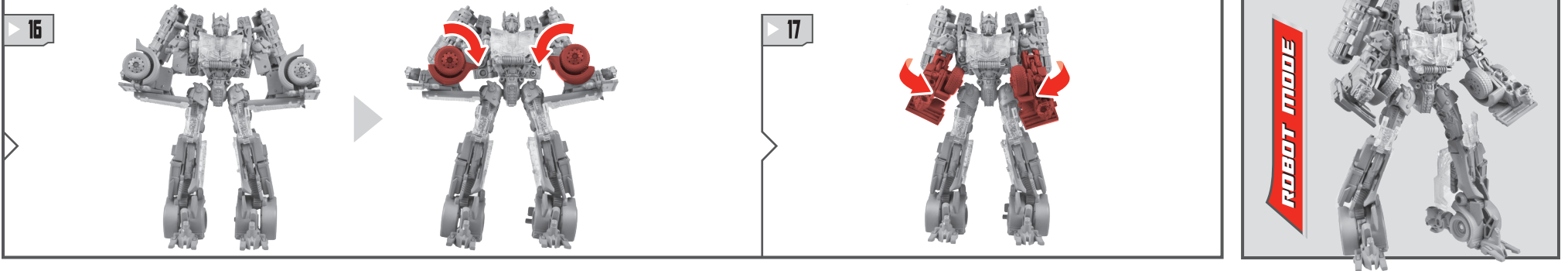
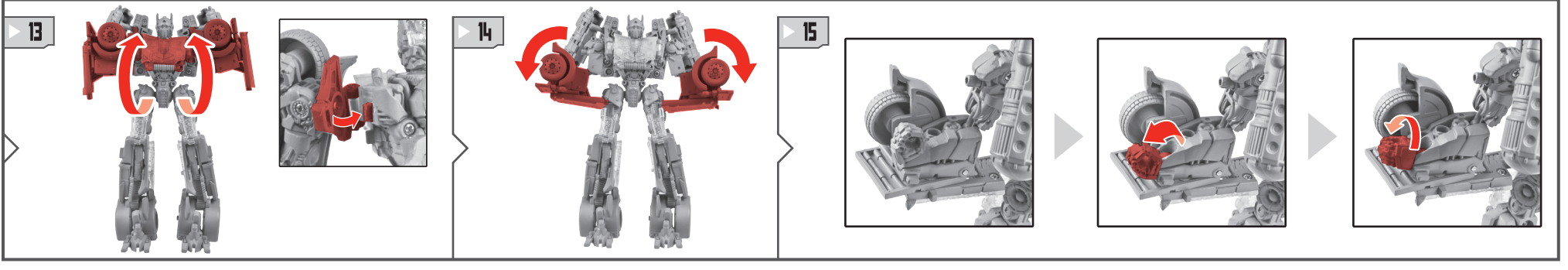
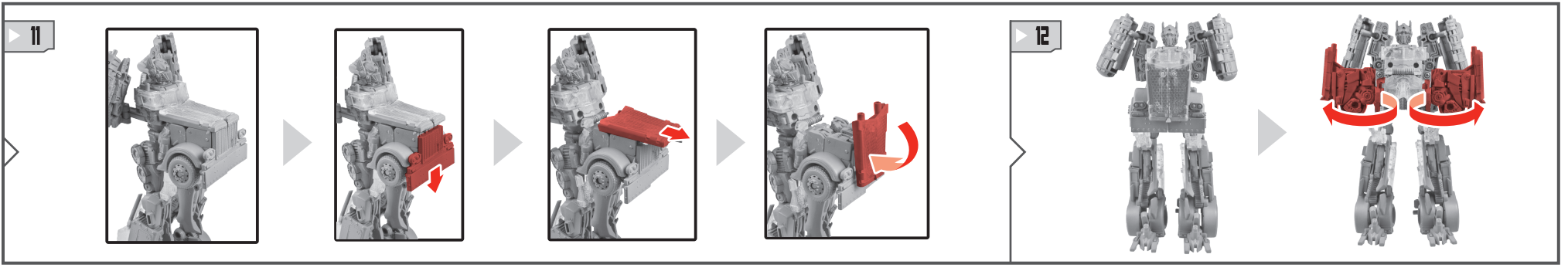
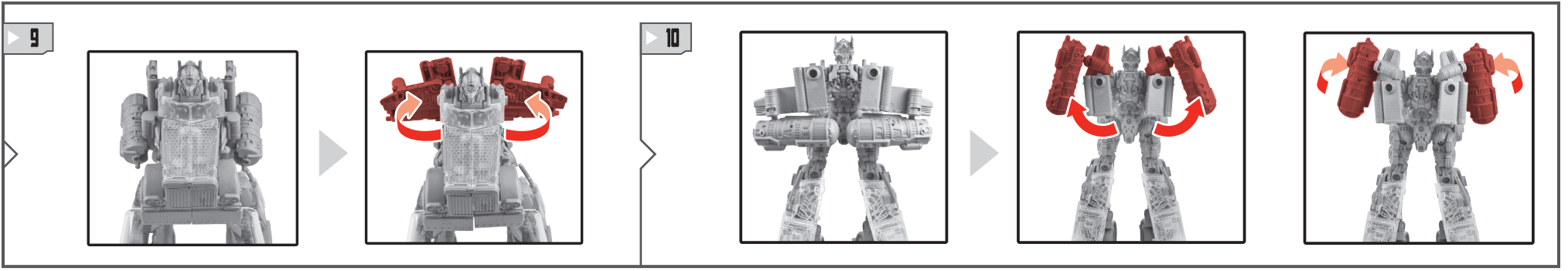
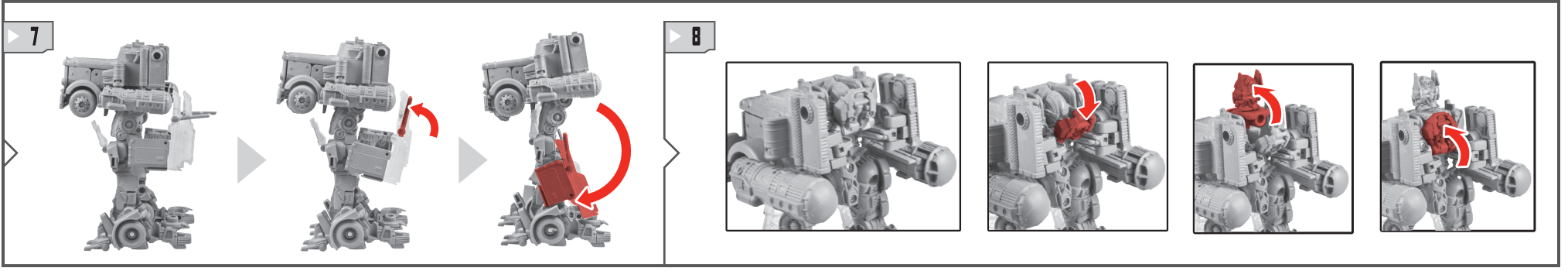
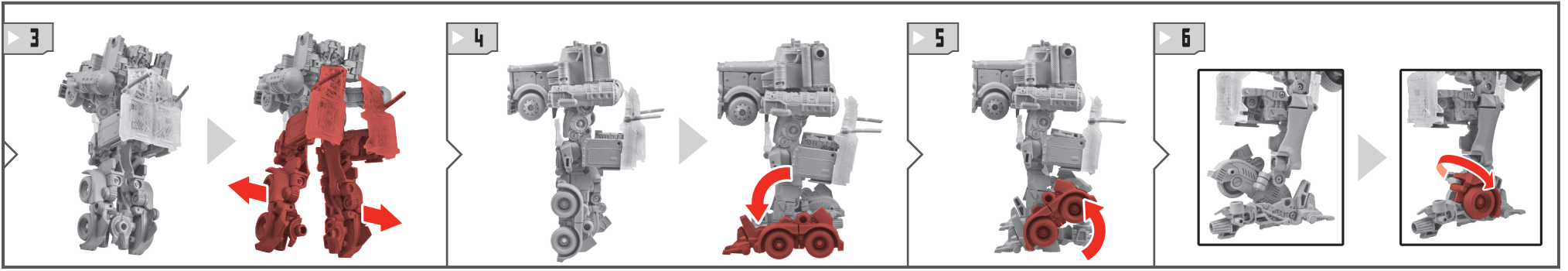
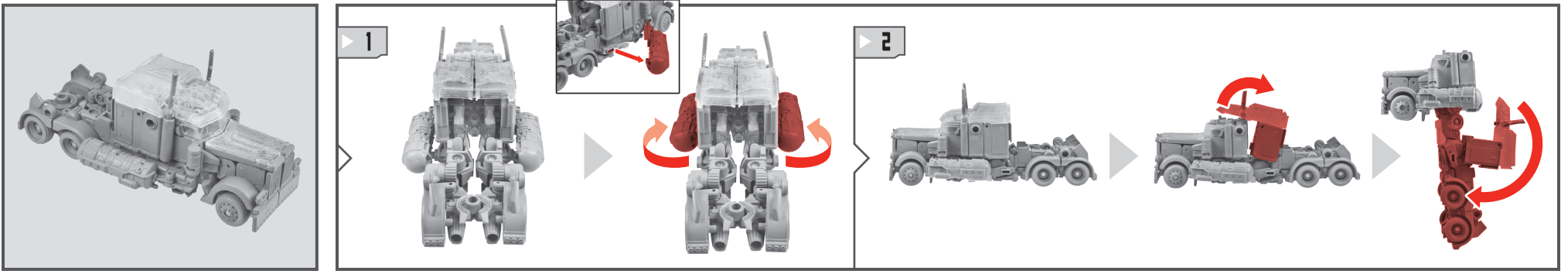
Product and colors may vary. Some poses may require hand support.
© 2010 Paramount Pictures Corporation.
Manufactured under license from TOMY Company, Ltd.
© 2010 Hasbro. All Rights Reserved. TM & © denote U.S. Trademarks.



TRANSFORMERS.COM/INSTRUCTIONS



Not suitable for children under 3 years because of small parts - choking hazard.



MECHTECH
WEAPONS SYSTEM

